

CASTRA PIR SECURITY FLOODLIGHT

WiFi CONTROLLED

Product Features

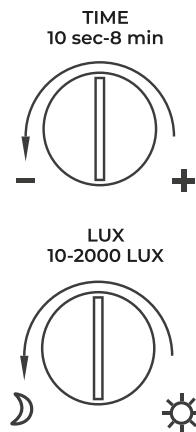
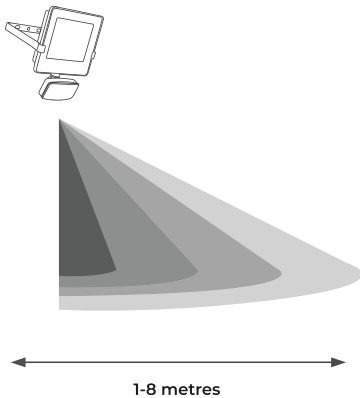
- Intelligent Smart Meshing
- Reliable, does not overload WiFi network
- Operate using your home WiFi network on 2.4GHz - no Hub required
- Self-healing for improved reliability
- Adjustable Smart PIR setting: Time, Lux, Sensitivity
- Override function for dusk till dawn operation
- Group and control Luceco Smart lighting together or individually via voice command or the app
- Communicates* beyond WiFi router perimeter
*must have other lighting devices in range connected to WiFi

2400 Lumens	IP65 Rating	5000K NEUTRAL WHITE	BLACK FINISH
220-240 Volt	105° Beam Angle	30K Hours	3 YEAR Warranty

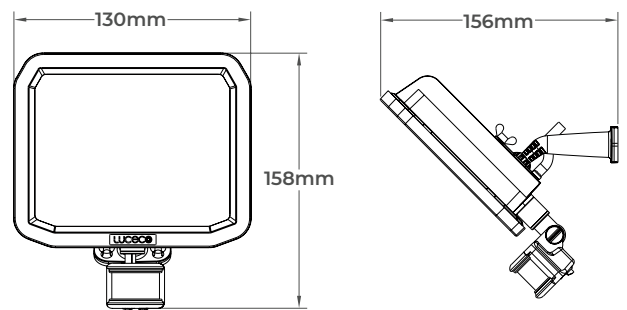
CAT NO.	TEMPERATURE	LUMINAIRE LUMENS	WATTAGE
LSMFSP20B150	5000K	2400lm	20W



PIR Function




Product Drawing

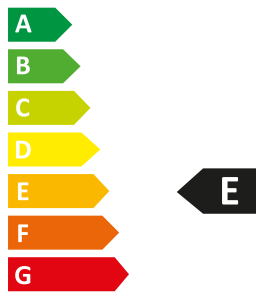


CAT NO.	WEIGHT (kg)	LLM/W	CRI	FREQUENCY (Hz)	IK RATING	TEMP RANGE (°C)	AMBIENT TEMP RATED LIFE (°C)	L/B RATED LIFE
LSMFSP20B150	0.498	120	>80	50-60	IK08	-20 to +25	25	L70 / B50


STANDARD	DESCRIPTION
BS EN 60598-1	Luminaires. General requirements and tests
BS EN 60598-2-5	Luminaires. Particular requirements. Floodlights
BS EN 62471	Photobiological safety of lamps and lamp systems
BS EN 55015	Limits and methods of measurement of radio disturbance characteristics of electrical lighting and similar equipment.
BS EN 61547	Equipment for general lighting purposes. EMC immunity requirements.
BS EN 61000-3-2	Electromagnetic compatibility (EMC). Limits. Limits for harmonic current emissions (equipment input current ≤ 16 A per phase)
BS EN 61000-3-3	Electromagnetic compatibility (EMC). Limits. Limitation of voltage changes, voltage fluctuations and flicker in public low-voltage supply systems, for equipment with rated current ≤ 16 A per phase and not subject to conditional connection
ETSI EN 300 328 V2.2.1	Wideband transmission systems; Data transmission equipment operating in the 2,4 GHz band; Harmonised Standard for access to radio spectrum
ETSI EN 301 489-1 V2.2.3	ElectroMagnetic Compatibility (EMC) standard for radio equipment and services; Part 1: Common technical requirements; Harmonised Standard for ElectroMagnetic Compatibility
ETSI EN 301 489-17 V3.2.4	ElectroMagnetic Compatibility (EMC) standard for radio equipment and services; Part 17: Specific conditions for Broadband Data Transmission Systems; Harmonised Standard for ElectroMagnetic Compatibility
BS EN IEC 62311	Assessment of electronic and electrical equipment related to human exposure restrictions for electromagnetic fields (0 Hz to 300 GHz)
2014/35/EU	LVD - Low Voltage Directive
2014/30/EU	EMC - Electromagnetic Compatibility
2011/65/EU	RoHS - Restriction Of The Use Of Certain Hazardous Substances in electrical and electronic equipment
1907/2006/EU	REACH - Registration, Evaluation, Authorisation and Restriction of Chemicals
2014/53/EU	RED - Radio Equipment And Repealing Directive
2019/2020/EU	ERP - Ecodesign Requirements For Energy-Related Products

 **ENERGY**

Luceco
LSMFSP20B150



20
kWh/1000h



2019/2015

