

# A60 CLASSIC

WiFi CONTROLLED

## Product Features

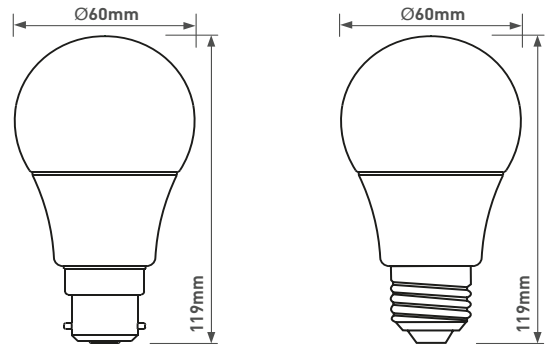
- Intelligent Smart Meshing
- Reliable, does not overload WiFi network
- Operate using your home WiFi network on 2.4GHz - no Hub required
- Self-healing for improved reliability
- Group and control Luceco Smart lighting together or individually via voice command or the app
- Communicates\* beyond WiFi router perimeter  
\*must have other lighting devices in range connected to WiFi

<b>8.8W LED</b>	<b>806 Lumens</b>	<b>2700-6500K WARM-COOL WHITE</b>
<b>RGB COLOUR</b>	<b>B22</b> SLA22x	<b>E27</b> SLA27x
	<b>2 YEAR Warranty</b>	

CAT NO.	LUMINAIRE LUMENS	WATTAGE	COLOUR TEMP	CAP
SLA22RGB9W81	806lm	8.8W	2700-6500K & RGB	B22
SLA27RGB9W81	806lm	8.8W	2700-6500K & RGB	E27



## Product Drawings



CAT NO.	FREQUENCY (V/Hz)	USEFUL LUMENS	LIFE/HOURS	EQUIVALENT TO	POWER FACTOR	SWITCHING CYCLE	LED TYPE	DIMMABLE	CRI	BEAM ANGLE	DIAMETER	HEIGHT	MERCURY CONTENT
SLA22RGB9W81	220-240/50-60	806lm	25,000hrs	60W	≥0.5	12,500	SMD	VIA APP	≥80	200	60mm	119mm	(Hg)/0.0mg
SLA27RGB9W81	220-240/50-60	806lm	25,000hrs	60W	≥0.5	12,500	SMD	VIA APP	≥80	200	60mm	119mm	(Hg)/0.0mg

STANDARD	DESCRIPTION
BS EN 62560	Self-ballasted LED-lamps for general lighting services by voltage > 50 V. Safety specifications.
BS EN 62471	Photobiological safety of lamps and lamp systems
BS EN 55015	Limits and methods of measurement of radio disturbance characteristics of electrical lighting and similar equipment.
BS EN 61547	Equipment for general lighting purposes. EMC immunity requirements.
BS EN 61000-3-2	Electromagnetic compatibility (EMC). Limits. Limits for harmonic current emissions (equipment input current ≤ 16 A per phase)
BS EN 61000-3-3	Electromagnetic compatibility (EMC). Limits. Limitation of voltage changes, voltage fluctuations and flicker in public low-voltage supply systems, for equipment with rated current ≤ 16 A per phase and not subject to conditional connection
ETSI EN 300 328 V2.2.1	Wideband transmission systems; Data transmission equipment operating in the 2,4 GHz band; Harmonised Standard for access to radio spectrum
ETSI EN 301 489-1 V2.2.3	ElectroMagnetic Compatibility (EMC) standard for radio equipment and services; Part 1: Common technical requirements; Harmonised Standard for ElectroMagnetic Compatibility
ETSI EN 301 489-17 V3.2.4	ElectroMagnetic Compatibility (EMC) standard for radio equipment and services; Part 17: Specific conditions for Broadband Data Transmission Systems; Harmonised Standard for ElectroMagnetic Compatibility
BS EN 62493	Assessment of lighting equipment related to human exposure to electromagnetic field
BS EN IEC 62311	Assessment of electronic and electrical equipment related to human exposure restrictions for electromagnetic fields (0 Hz to 300 GHz)
2014/35/EU	LVD - Low Voltage Directive
2014/30/EU	EMC - Electromagnetic Compatibility
2011/65/EU	RoHS - Restriction Of The Use Of Certain Hazardous Substances in electrical and electronic equipment
1907/2006/EU	REACH - Registration, Evaluation, Authorisation and Restriction of Chemicals
2014/53/EU	RED - Radio Equipment And Repealing Directive
2019/2020/EU	ERP - Ecodesign Requirements For Energy-Related Products

